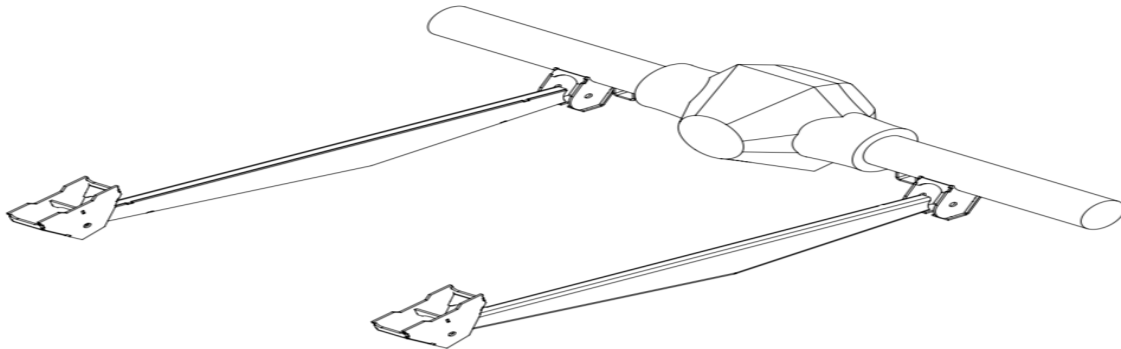


# 03-13 2500/3500 Dodge Long Travel

Traction Bar Instructions by



## Tools needed

Basic welding setup (220v welder or better)

Bottle jack and wood block

String with nuts or Plumb Bob

Sharpie or scribe

Paint removal tools

Primer and Semi Gloss Black Paint



## Included with Kit

4-5/8" NC Bolts

4-5/8" NC Nylock Nuts

4-5/8" SAE Washers

2 - Frame Mounts

2 - Rear End Mounts

2 - RH/LH Traction Arms